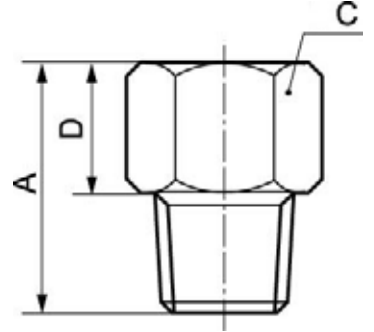


FITTINGS EXTENDERS

Male/Female extender - A5



Min/max operating pressure

0 / 218 psi

Part number	Male thread	Female thread	Net weight (Kg)	Dim. A (inch)	Dim. C (inch)	Dim. D (inch)
A5 1814	R1/8	G1/4	0,019	0.89	0.67	0.57
A5 1438	R1/4	G3/8	0,034	1.12	0.87	0.69
A5 3812	R3/8	G1/2	0,049	1.26	0.94	0.81
A5 3401	R3/4	G1	0,102	1.22	1.5	0.69
A5 3442	G3/4	G1 1/4	0,098	1.08	1.77	0.69
A5 250200	NPT1/8	NPT1/8	0.01			
A5 251201	NPT1/4	NPT1/4	0.01			
A5 252202	NPT3/8	NPT3/8	0.01			
A5 253203	NPT1/2	NPT1/2	0.01			
A5 254204	NPT3/4	NPT3/4	0.01			